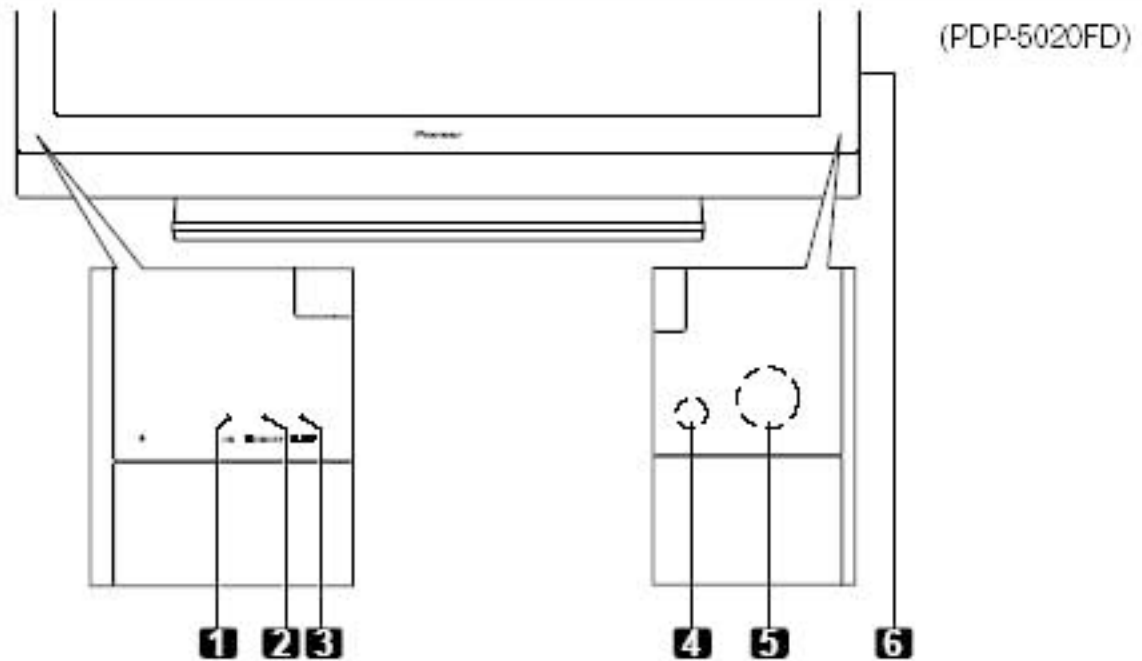


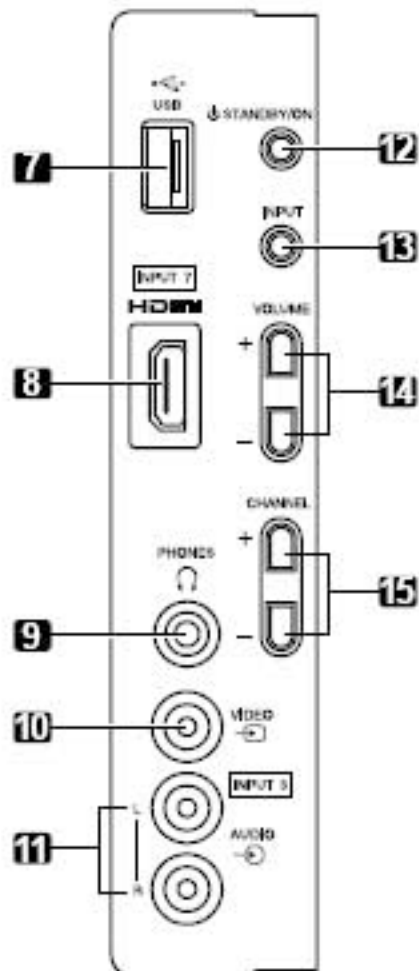
20FD Series Models: Face of Panel



- 1 -Power ON indicator
- 2 -STANDBY indicator
- 3 -SLEEP indicator

- 4 -Room Light sensor
- 5 -Remote Control sensor
- 6 -Bezel (some call it the front frame)

Command Side of the Panel (left side)

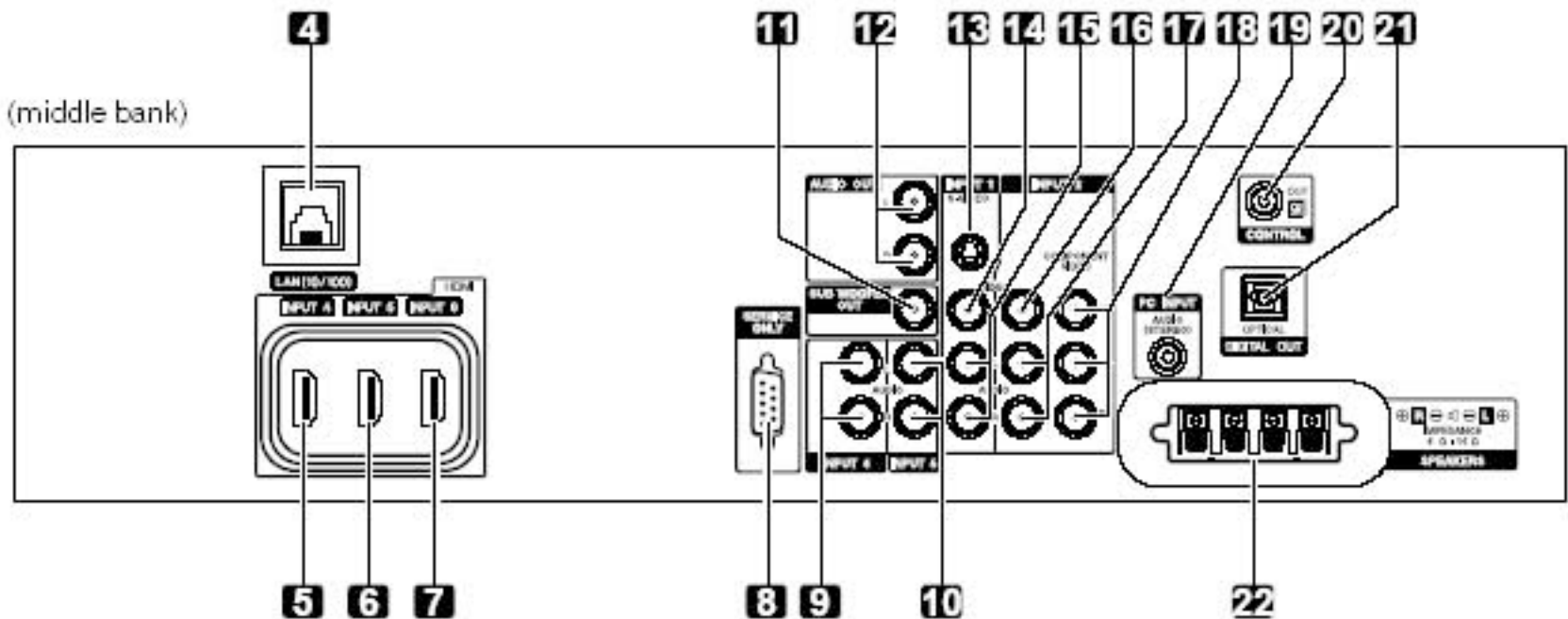
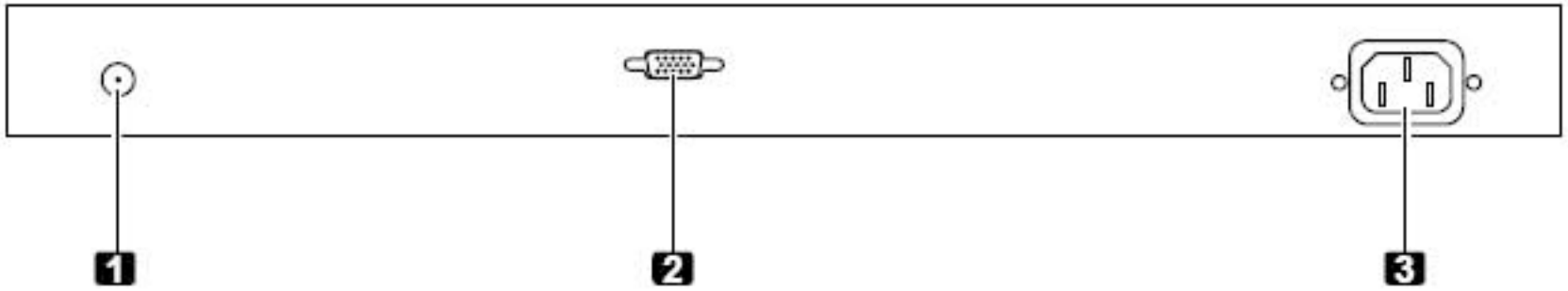


- 7 -USB terminal
- 8 -INPUT 7 terminal (HDMI)
- 9 -PHONES terminal
- 10 -INPUT 3 terminal (Video)
- 11 -INPUT 3 terminals (Audio)
- 12 -STANDBY/ON button
- 13 -INPUT button
- 14 -VOLUME Up/Down buttons
- 15 -CHANNEL Up/Down buttons

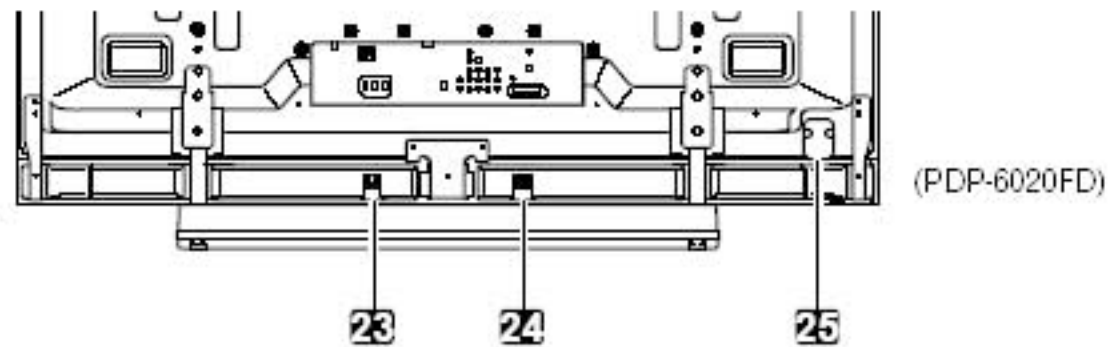
Introduction to the 20FD Series Flat Panel TVs

Back of the Panel

- 1 -ANT terminal
- 2 -PC Input terminal (Analog RGB)
- 3 -AC In terminal
(upper bank)



- 4 -Ethernet cable port
- 5 -INPUT 4 terminal (HDMI)
- 6 -INPUT 5 terminal (HDMI)
- 7 -INPUT 6 terminal (HDMI)
- 8 -RC-232C terminal (for factory use)
- 9 -INPUT 4 terminals (Audio)
- 10 -INPUT 5 terminals (Audio)
- 11 -SUB WOOFER OUT terminal
- 12 -AUDIO OUT terminals (Audio)
- 13 -INPUT 1 terminal (S-Video)
- 14 -INPUT 1 terminal (Video)
- 15 -INPUT 1 terminals (Audio)
- 16 -INPUT 2 terminal (Video)
- 17 -INPUT 2 terminals (Audio)
- 18 -INPUT 2 terminals (Component, Y, P_B, P_R)
- 19 -PC INPUT terminal (Audio)
- 20 -CONTROL OUT terminal
- 21 -DIGITAL OUT terminal (Optical)
- 22 -SPEAKERS (right/left) terminal



- (lower bank)
- 23 -Speakers (R) terminal (speaker side)
- 24 -Speakers (L) terminal (speaker side)
- 25 -Power On button

Terminals on side and rear panels are common to both 20FD models.